

KHOI NGUYEN ME CO., LTD

HIGH PRESSURE MIXING HEAD

1.INDIA MIXING HEAD (ĐÀU TRỘN ẮN ĐỘ):



Polycraft Mixing Heads

HIGH-PRESSURE MIXING HEADS

LOW-PRESSURE MIXING HEADS

POURING & SPRAY HEADS

SANDWICH PANELS FOAMING HEADS

ROTATING PIPE INSULATION SPRAY HEADS

The mixing head is the most important part of every Polyurethane production system. The head is the heart of the system! It must ensure perfect mixing of the components, in order to produce high quality foams.

It must be easy to use and maintain, in order to avoid unnecessary waste of time. It must be as much compact as possible, in order to be used manually without straining the operator.



Polycraft high-pressure mixing heads which are specific to particular applications and required performance, achieving a consistent and excellent standard in terms of reliability and quality of these products.

Today the range of high-pressure mixing heads is composed by the following models:

Select your head from the menu, here on the below.



PMLV type, 2 Component
L-Type Mix-Head
For all kinds; Rigid, Semi Rigid, Flexible, Integral Skin Foam



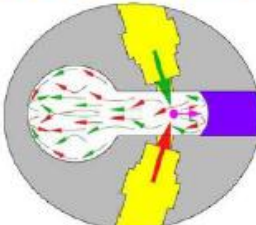
PMLV type, 4 Component
Double L-Type Mix-Head
Dual hardness foam car seat



PMS type, 4 Component & 2 Component
Straight-Type Mix-Head

MIXING FLOW OF POLY-CRAFT MIXING HEAD

Angled Injection nozzle

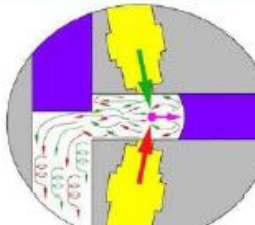


The enhance of initial kinetic energy which is caused by with 1st and 2nd collision:
The swirl flow of very various size

Maximize offset process of kinetic energy by the maximum mixing efficiency of high viscosity materials

The most soft lamina flow at outlet pipe

Simple L-type Design



Easy maintenance & repair

Installation of Nozzle block to supply Materials

Easy Nozzle set up

Easy disassembly & assembly

Throttle Control Block



The control of throttle regulation is Possible

Mixing efficient & Laminar flow improvement by throttle regulation

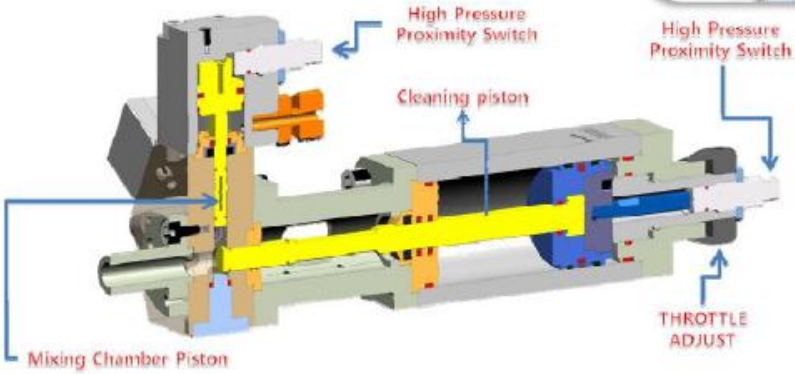
Suppression effect of air void in Initial mixing flow

2 component Mixing Head and Nozzle

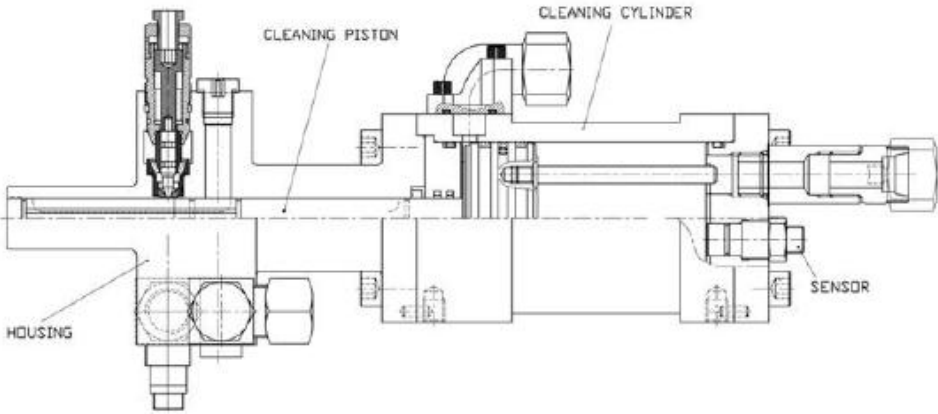
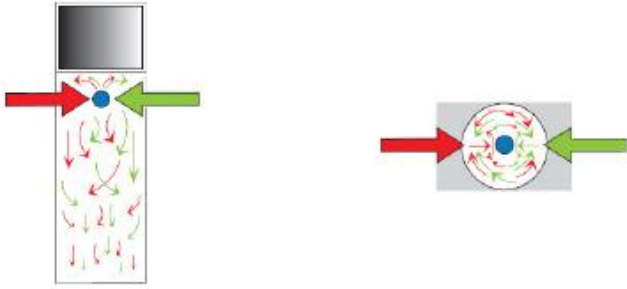


Nozzle Diameter

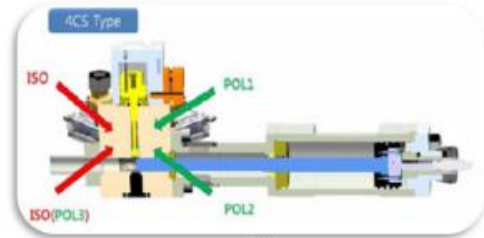
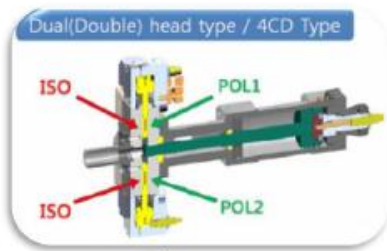
- L- Type : ø 0.3/0.4/ 0.5/ 0.6/ 0.8/ 1.0/ 1.2/ 1.5/ 2.0/ 2.5/ 3.0/ 3.5/ 4.0/ 4.5/ 5.5
- S- Type : ø 5.0/ 5.5/ 6.0/ 6.5/ 7.0/ 7.5/ 8.0/ 9.0/10/ 11/ 12



Straight - Type Injection



4 component Mixing Head and Nozzle



Our Customer's Application

Automotive Industry



Automotive facias and Body panels Head lining Bumpers Car seats



Steering wheels Glass and capulotion Outside mirrors Air filters



Components packaging Carpeting Noise absorption components Floor mat

Sports Industry



Exercise ball / soccer ball Shoe sole Water ski Water craft

Insulation Industry



Panels for building industry Cold store panels Domestic fridges and Freezers Refrigerated trailer



Thermowires Water heaters Pipe insulation Industrial refrigerators

Furniture Industry



Residential and commercial doors Chairs Office chairs Bed heads

Frames for decorative trim & picture, Home furniture, Sofas and Armchairs, Mattress

Technical and Leisure Time Industry



Motorbike / bicycle saddles

2..ITALY MIXING HEAD (ĐÀU TRỘN Ý):




HPDF/HPLF
MIXING HEAD

 PU EXPERIENCE

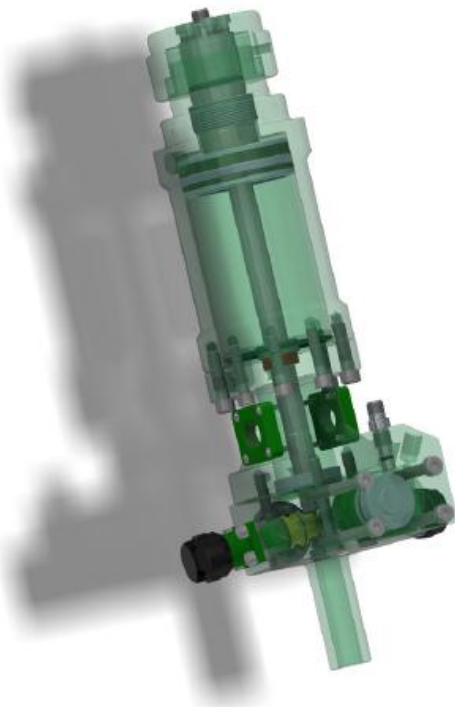
PU EXPERIENCE



HPDF
MIXING HEAD

 Damped flow high pressure mixing head for open
mould and close mould and close mould application

MIXING HEAD TYPE	PERFORMANCE DATA			DIMENSION				APPLICATION		
	N. OF COMP.	Laminar Output Open mould cc/ s	Maximum Output admitted cc/ s	Height mm	Length mm	Width mm	Weight Approx. Kg	Open Mould	Closed Mould	Pentane
HPDF 3	2	3-20	20	215	100	80	4	✓	✓	
HPDF 6	2	8-50	50	290	180	90	7,5	✓	✓	
HPDF 8	2	25-150	300	392	165	120	15	✓	✓	✓
HPDF 14	2	60-400	800	410	185	135	18	✓	✓	✓
HPDF 14/4	4	60-400	800	410	185	135	19	✓	✓	
HPDF 18	2	150-700	1400	422	190	166	22	✓	✓	✓
HPDF 18/4	4	150-700	1400	422	190	166	24	✓	✓	
HPDF 24	2	300-1300	3000	500	200	175	32	✓	✓	✓



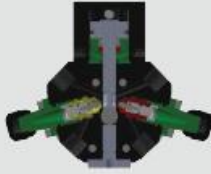
FLEXIBILITY CONCEPT IN WORK

The Mixing heads HPDF series are made to ensure an excellent mixing in conditions.

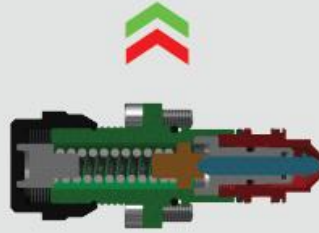
MAIN FEATURES:

- ▶ Separation system between the hydraulic circuit and the mixing chamber PU. Possibility of providing the self-cleaning piston with lubrication pump-forced system.
- ▶ Proximity with direct reading even in ATEX version for Pentane.
- ▶ Use Injectors inclined in counter-flow for a better mixing efficiency even at pressures lower than 150 Bar. Injectors spring loaded with mechanical compensation system for greater flexibility of flow-rates.
- ▶ Option: automatic adjustment of pressure through pneumatic proportional valves for special applications.
- ▶ Possibility of customization depending on the specific needs.

The adjustment of the pressures in recycling is easy and precise thanks to the modulating injectors



The injectors inclined ensure a greater efficiency during mixing



For particularly difficult applications, possibility of choking the self-cleaning piston stroke by decreasing the output section of the mixing chamber

PU EXPERIENCE

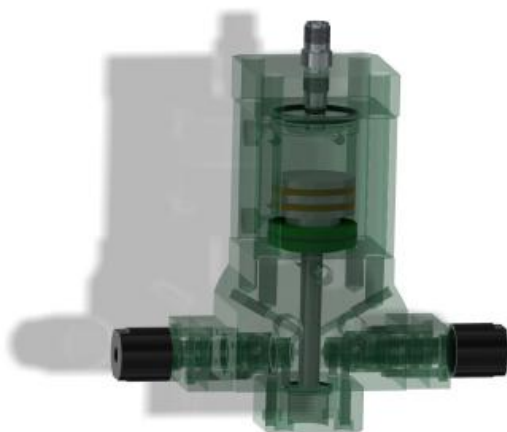


HPLF MIXING HEAD

Axial piston high pressure mixing head especially studied for spray applications and close mould injection

MIXING HEAD TYPE	PERFORMANCE DATA			DIMENSION				APPLICATION		
	N. OF COMP.	Minimum Output admitted cc/s	Maximum Output admitted cc/s	Height mm	Length mm	Width mm	Weight Approx. Kg	Spraying Technology	Closed Mold	Pentane
HPLF 5	2	10	80	15	50	55	1,2	✓	✓	
HPLF 8	2	40	250	130	60	70	2,5	✓	✓	
HPLF 10	2	40	400	180	80	70	4,5	✓	✓	✓
HPLF 12	2	100	800	270	120	80	6	✓	✓	✓
HPDF 18	2	400	2000	350	190	160	15		✓	✓
HPDF 24	2	1000	4000	500	200	175	22		✓	✓
HPDF 36/4	4	3500	12000	600	280	280	35		✓	

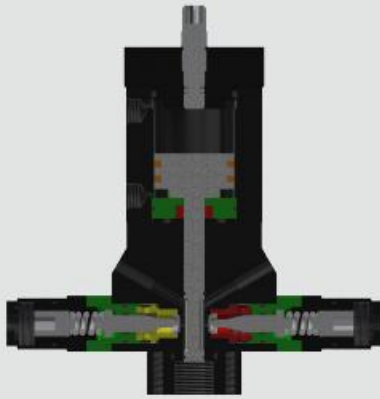
PU EXPERIENCE



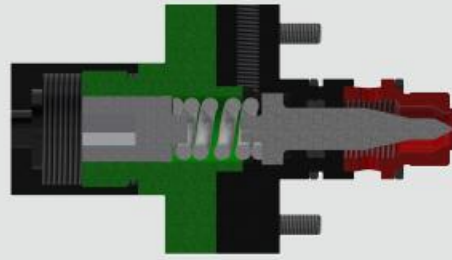
HIGH TECHNOLOGY IN USE

The use of HPLF axial mixing heads is necessary to satisfy very important production processes:

- ▶ Technical polyurethane spray technologies for the industrial sectors.
- ▶ Applications where it is necessary to have very high foam outlet speeds for filling molds with fast-curing materials.
- ▶ Small dimensions for the most varied closed-mold applications. Today, the HPLF axial mixing head series type, find more and more fields of application and have a good success for the constructive simplicity, the excellent quality/price ratio and the easy installation procedure.



Compact dimensions and wide range of additional tools facility for many industrial applications



▶ Static Injectors
▶ Spring Loading injectors for wide range of flow and material viscosity.

PU EXPERIENCE



SLSP



HYSL



SLM



SIT



SLS

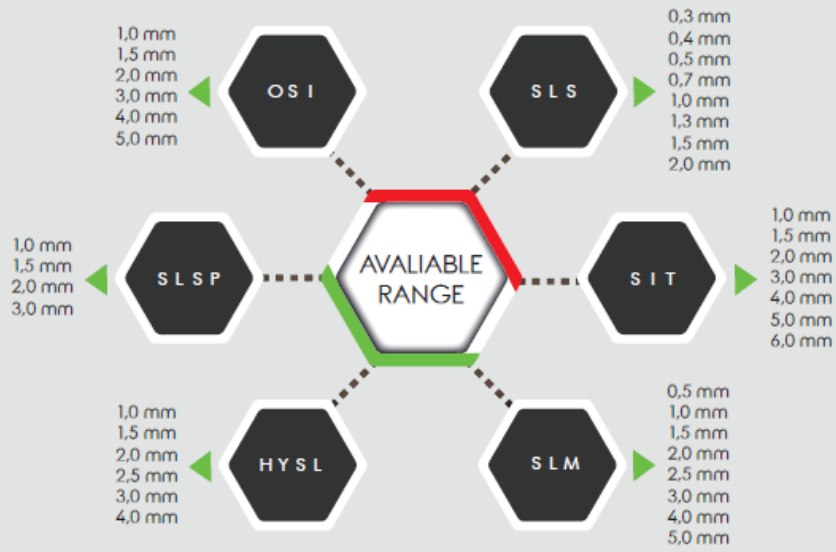


OSI

INJECTORS MIXING HEAD



The best solution for every application



ISC s.r.l.



Via Isonzo, 123
22066 Mariano Comense (CO) Italy



Tel: +39 031 6123954



www.isc-italy.com



info@isc-italy.com

